

# FCA101512T-00006

FIBERGLASS / PCX POLYMER  
CONCRETE ASSEMBLY

10"x15"x12"  
(For actual dimensions see drawing)

Fiberglass / Polymer Concrete Assembly,  
Tapered Sides, No Floor, ANSI/SCTE 77  
- "T15/20K," 3/8" Hex Bolts, Standard  
Nameplate (Specify at time of order)  
Installed

### LOAD RATINGS

Incidental Traffic - Parking Lot, Sidewalk  
Conforms to:

- WUC 3.6
- ASTM C 857
- ANSI/SCTE 77

### FEATURES:

- USDA/RUS Approved
- Drop-In nameplate
- Shipped assembled
- Skid resistant cover
- Stainless Steel
- Cast-in floating nut box  
- Integral drain holes

Additional product information  
continued on the reverse

**newbasis**  
Composites for Infrastructure

2626 Kansas Avenue  
Riverside, California 92507

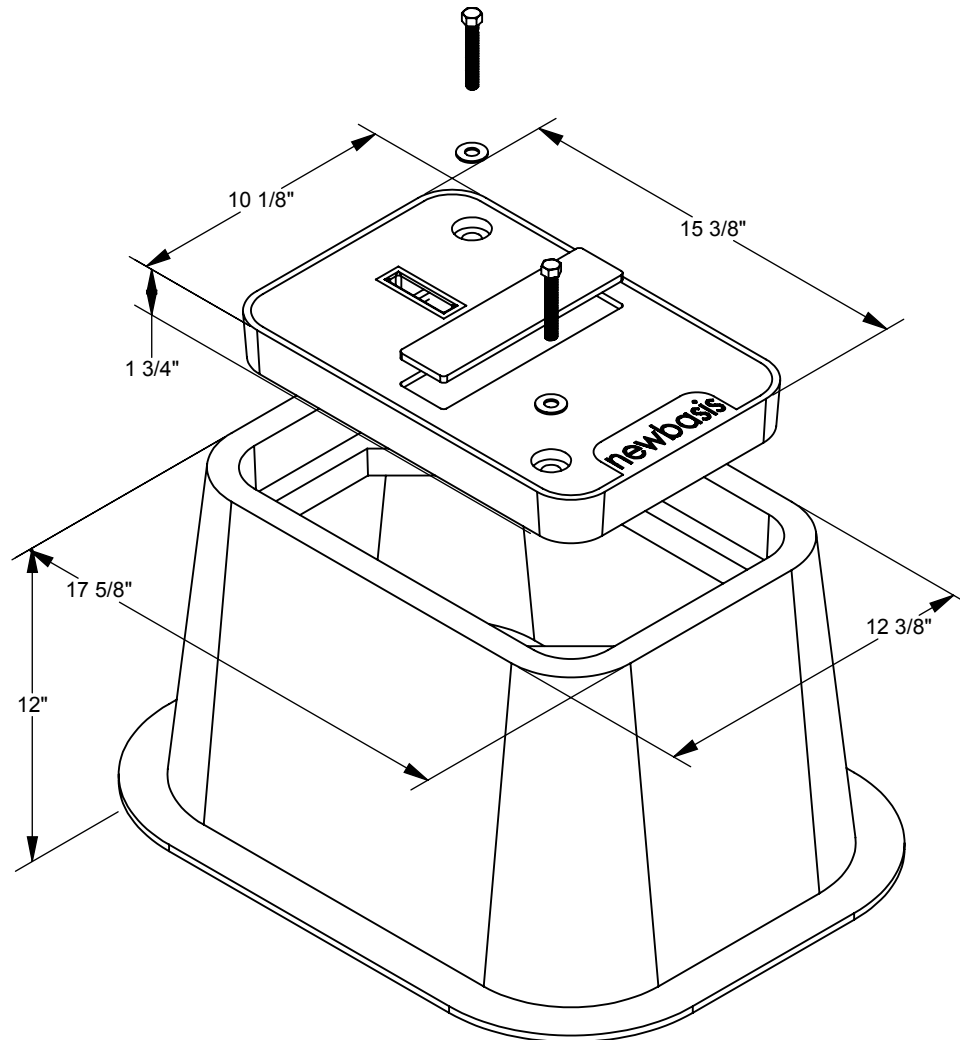
951.787.0600

951.787.0632 (fax)

info@newbasis.com

newbasis.com

**PCX**<sup>™</sup>  
POLYMER CONCRETE  
The Next Generation



### Inside Dimensions

Length	Width	Depth
13 3/4"	8 5/8"	10 1/4"
21 7/8"	16 3/4"	

Rev: A.0

# FCA101512T-00006

FIBERGLASS / PCX  
POLYMER CONCRETE ASSEMBLY



Fiberglass / Polymer Concrete Assembly, Tapered Sides, No Floor, ANSI/SCTE 77 - "T15/20K," 3/8" Hex Bolts, Standard Nameplate (Specify at time of order) Installed

10"x15"x12"

For actual dimensions, see drawing on front side.

## AVAILABLE OPTIONS

- Penta Bolts
- Telephone EMS
- Power EMS
- Custom Nameplate Installed
- Custom Nameplate Shipped Separately
- Standard Nameplate Installed
- Standard Nameplate Shipped Separately

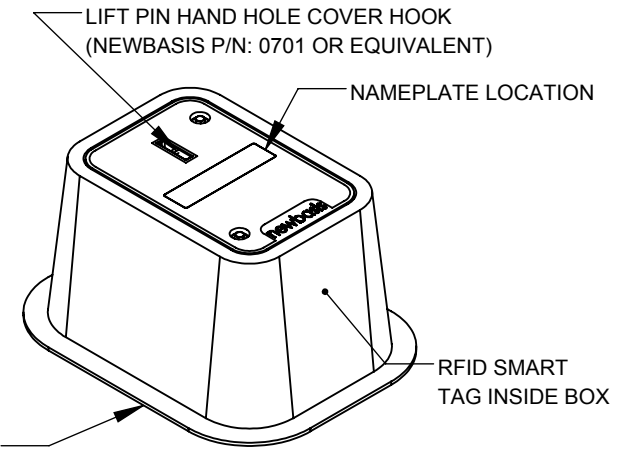
- Indicates a selected option

## NAMEPLATES

One standard nameplate included with each assembly, installed at the factory or easily installed in the field. Custom nameplates are available. Contact customer service.

### Standard Nameplates

- Electric
- Telephone
- Fiber Optic
- Street Lighting
- Traffic
- CATV
- Communications



## MATERIAL PROPERTIES AND ATTRIBUTES

**Compressive Strength**  
Polymer Concrete - **11,500 PSI**  
FRP - **19,440 PSI**  
Per ASTM D695

**Flexural Strength**  
Polymer Concrete - **4,000 PSI**  
FRP - **16,830 PSI**  
Per ASTM D790

**Coefficient of Friction (Dry)**  
**1.085**  
Per ASTM C1028

Polymer Concrete

- Advanced composite: Very high strength to weight ratio
- Non-metallic
- Non-conductive
- UV Resistant
- High impact resistant
- Impervious to chemicals and moisture

Materials tested in accordance with ASTM D-543 and ASTM D-570

## WEIGHTS AND SHIPPING

COVER WEIGHT: 16 lbs.

BOX WEIGHT: 23.4 lbs

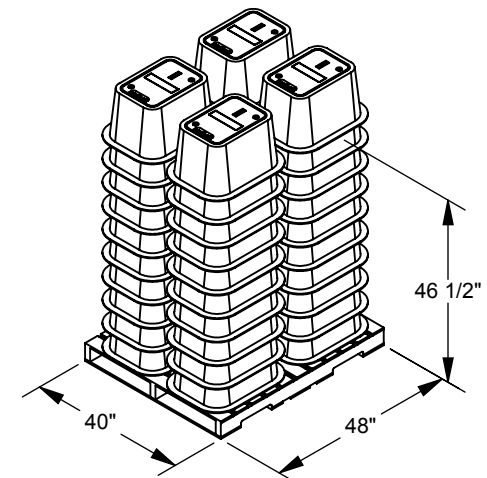
ASSEMBLY WEIGHT: 39.4 lbs

LOADED PALLET WEIGHT: 1,621 lbs

Standard shipping includes van delivery of pallet quantities to the lower 48 states. Partial pallet quantities and flat bed shipping available at an additional cost.

## PACKAGING (Steel Banding, Edge Protection)

PALLET QUANTITY: 40



Rev: A.0