

FCA132412-00006

FIBERGLASS / PCX POLYMER
CONCRETE ASSEMBLY

13" x 24" x 12"
(For actual dimensions see drawing)

Fiberglass / Polymer Concrete Assembly,
Straight Sides, No Floor, WUC 3.6,
ANSI/SCTE 77 - "T15/20K," 3/8" Hex
Bolts, Standard Nameplate (Specify at
time of order) Installed

LOAD RATINGS

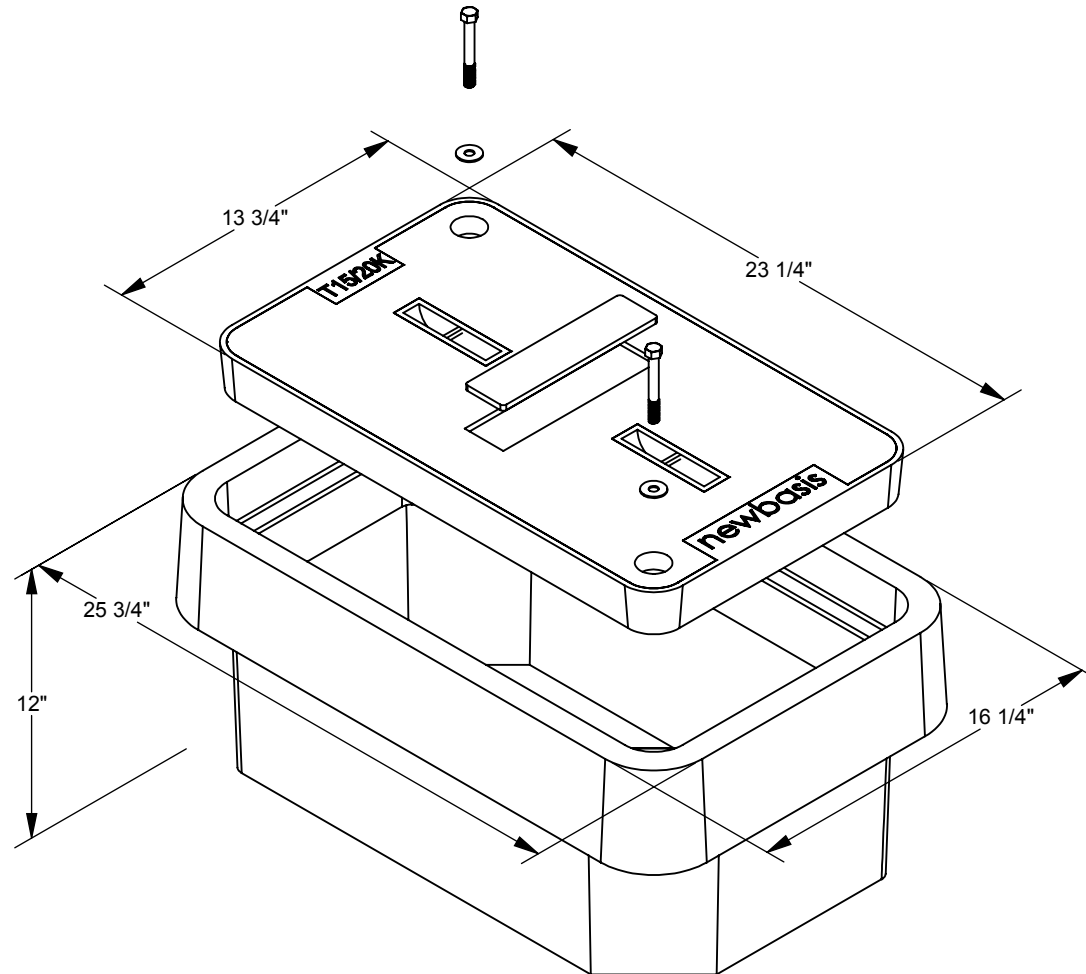
Incidental Traffic - Parking Lot, Sidewalk
Conforms to:

- WUC 3.6
- ASTM C 857
- ANSI/SCTE 77

FEATURES:

- USDA/RUS Approved
- Drop-In nameplate
- Shipped assembled
- Skid resistant cover
- Stainless steel bolts
- Cast-in floating nut box
- Integral drain holes

Additional product information
continued on the reverse



2626 Kansas Avenue
Riverside, California 92507

951.787.0600

951.787.0632 (fax)

info@newbasis.com

newbasis.com

Inside Dimensions

Length	Width	Depth
21 1/2"	12"	10"
17 3/4"	8 1/4"	

Rev: A.1

FCA132412-00006

FIBERGLASS / PCX
POLYMER CONCRETE ASSEMBLY



Fiberglass / Polymer Concrete Assembly, Straight Sides, No Floor, WUC 3.6, ANSI/SCTE 77 - "T15/20K," 3/8" Hex Bolts, Standard Nameplate (Specify at time of order) Installed

13" x 24" x 12" For actual dimensions, see drawing on front side.

AVAILABLE OPTIONS

- Penta Bolts
- Telephone EMS
- Power EMS
- Custom Nameplate Installed
- Custom Nameplate Shipped Separately
- Standard Nameplate Installed
- Standard Nameplate Shipped Separately

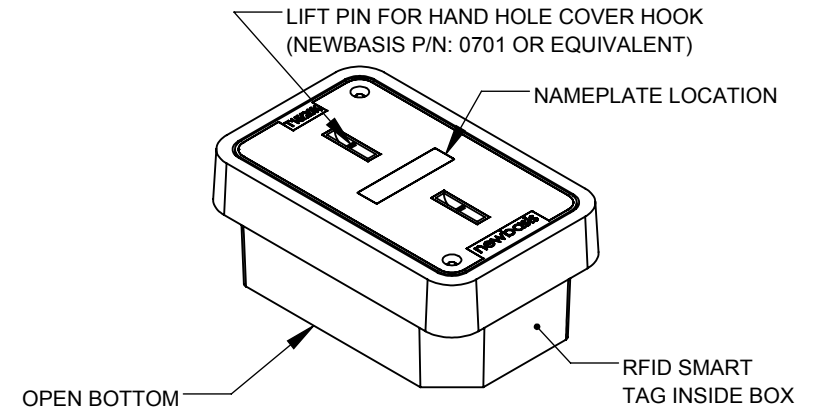
- Indicates a selected option

NAMEPLATES

One standard nameplate included with each assembly, installed at the factory or easily installed in the field. Custom nameplates are available. Contact customer service.

Standard Nameplates

- Electric
- Telephone
- Fiber Optic
- Street Lighting
- Traffic
- CATV
- Communications



MATERIAL PROPERTIES AND ATTRIBUTES

Compressive Strength
Polymer Concrete - **11,500 PSI**
FRP - **19,440 PSI**
Per ASTM D695

Flexural Strength
Polymer Concrete - **4,000 PSI**
FRP - **16,830 PSI**
Per ASTM D790

Coefficient of Friction (Dry)
1.085
Per ASTM C1028

- Polymer Concrete
- Advanced composite: Very high strength to weight ratio
 - Non-metallic
 - Non-conductive
 - UV Resistant
 - High impact resistant
 - Impervious to chemicals and moisture

Materials tested in accordance with ASTM D-543 and ASTM D-570

WEIGHTS AND SHIPPING

COVER WEIGHT: 34.62 lbs.

BOX WEIGHT: 56.49 lbs.

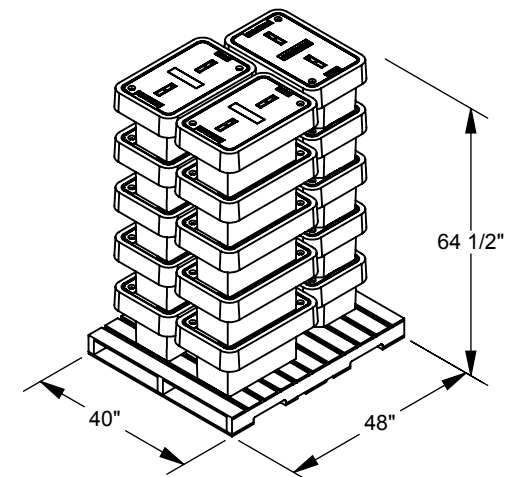
ASSEMBLY WEIGHT: 91.11 lbs.

LOADED PALLET WEIGHT: 1,406.65 lbs.

Standard shipping includes van delivery of pallet quantities to the lower 48 states. Partial pallet quantities and flat bed shipping available at an additional cost.

PACKAGING (Steel Banding, Edge Protection)

PALLET QUANTITY: 15



Rev: A.1