

FCA243624-00006

FIBERGLASS / POLYMER CONCRETE ASSEMBLY

24" x 36" x 24"
(For actual dimensions see drawing)

Fiberglass / Polymer Concrete Assembly, Straight Sides, No Floor, WUC 3.6-"20K," 3/8" Hex Bolts, Standard Nameplate (Specify at time of order) Installed

LOAD RATINGS

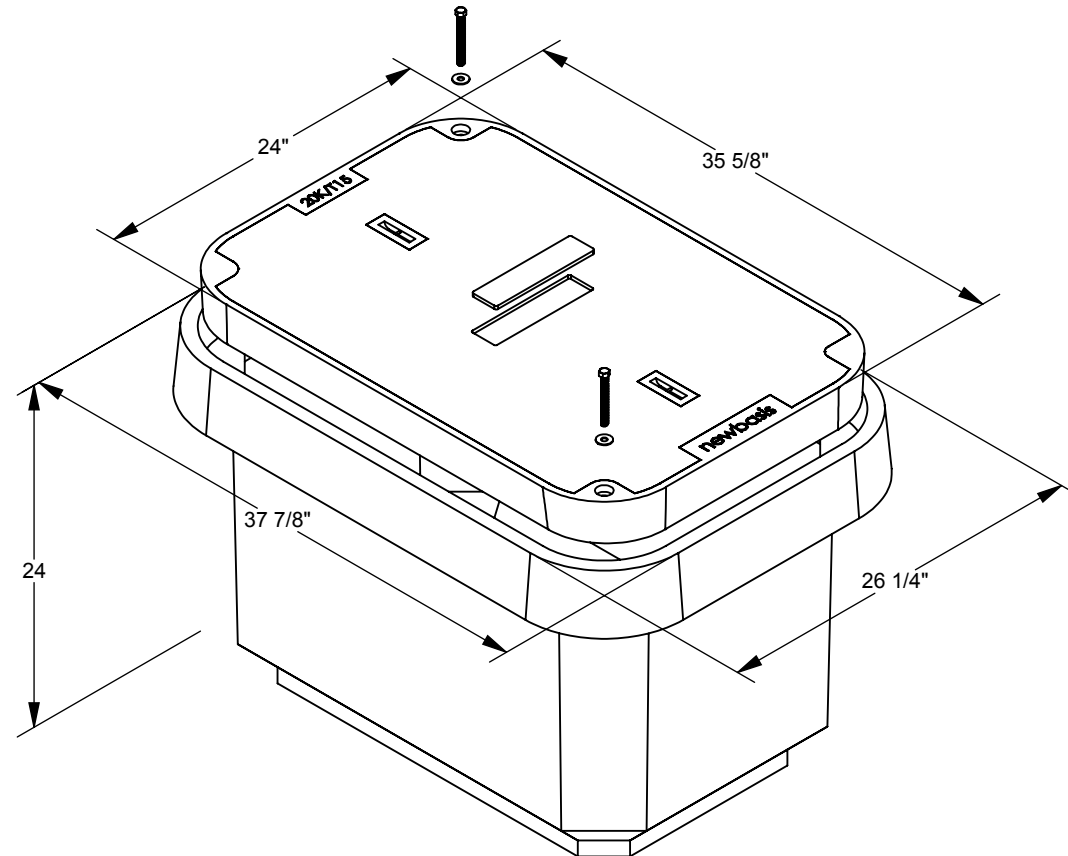
Incidental Traffic - Parking Lot, Sidewalk
Conforms to:

- WUC 3.6
- ASTM C 857
- ANSI/SCTE 77

FEATURES:

- USDA/RUS Approved
- Drop-In nameplate
- Shipped assembled
- Skid resistant cover
- Stainless steel bolts
- Cast-in floating nut box
- Integral drain holes

Additional product information continued on the reverse



newbasis
Composites for Infrastructure

2626 Kansas Avenue
Riverside, California 92507

951.787.0600

951.787.0632 (fax)

info@newbasis.com

newbasis.com

Inside Dimensions

Length	Width	Depth
33 1/8"	22 1/2"	21"
28 1/16"	16 1/2"	

REV: A.1

FCA243624-00006

FIBERGLASS / POLYMER CONCRETE ASSEMBLY



Fiberglass / Polymer Concrete Assembly, Straight Sides, No Floor, WUC 3.6, ANSI/SCTE 77-"20K/T15," 3/8" Hex Bolts, Standard Nameplate (Specify at time of order) Installed

24" x 36" x 24" For actual dimensions, see drawing on front side.

AVAILABLE OPTIONS

- Penta Bolts
- Telephone EMS
- Power EMS
- Racks
- Knockouts
- Floor
- Custom Nameplate Installed
- Custom Nameplate Shipped Separately
- Standard Nameplate Installed
- Standard Nameplate Shipped Separately

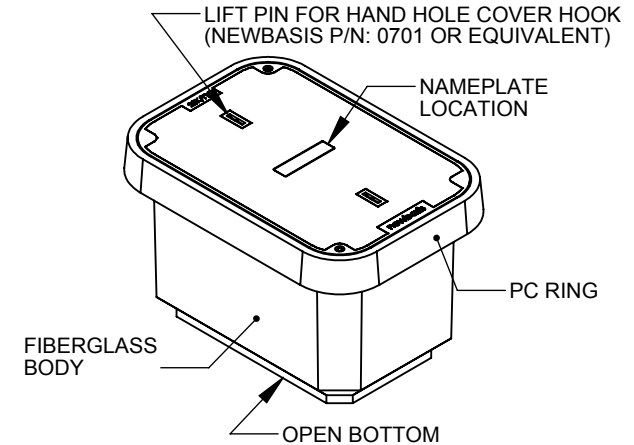
- Indicates a selected option

NAMEPLATES

One standard nameplate included with each assembly, installed at the factory or easily installed in the field. Custom nameplates are available. Contact customer service.

Standard Nameplates

- Electric
- Telephone
- Fiber Optic
- Water
- Irrigation Control Valve
- Broadband
- Traffic
- CATV
- Traffic Signal
- Communications



Rev: A.1

MATERIAL PROPERTIES AND ATTRIBUTES

Compressive Strength
Polymer Concrete - **87 MPa**
FRP - **134 MPa**
Per ASTM D695/D3410

Flexural Strength
Polymer Concrete - **20 MPa**
FRP - **116 MPa**
Per ASTM D790

Coefficient of Friction (Dry)
1.085
Per ASTM C1028

- Polymer Concrete
- Advanced composite: Very high strength to weight ratio
 - Non-metallic
 - Non-conductive
 - UV Resistant
 - High impact resistant
 - Impervious to chemicals and moisture

Materials tested in accordance with ASTM D-543 and ASTM D-570

WEIGHTS AND SHIPPING

COVER WEIGHT: 122 lbs.

BOX WEIGHT: 126 lbs.

ASSEMBLY WEIGHT: 248 lbs.

LOADED PALLET WEIGHT: 1595 lbs.

Standard shipping includes van delivery of pallet quantities to the lower 48 states. Partial pallet quantities and flat bed shipping available at an additional cost.

PACKAGING (Steel Banding, Edge Protection)

PALLET QUANTITY: 6

