

# FCA380042T-00006

FIBERGLASS / POLYMER CONCRETE ASSEMBLY

Ø38" X 42"  
(For actual dimensions see drawing)

Fiberglass / Polymer Concrete Assembly,  
Tapered Sides, WUC 3.6, ANSI/SCTE  
77-"20K/T15," 3/8" Hex Bolts, Standard  
Nameplate (Specify at time of order)  
Installed

### LOAD RATINGS

Incidental Traffic - Parking Lot, Sidewalk  
Conforms to:

- WUC 3.6
- ASTM C 857
- ANSI/SCTE 77 - 2010

### FEATURES:

- USDA/RUS Approved
- UL classified polymer concrete
- Drop-In nameplate
- Shipped assembled
- Skid resistant cover
- Stainless steel bolts

Additional product information  
continued on sheet 2

**newbasis**  
Composites for Infrastructure

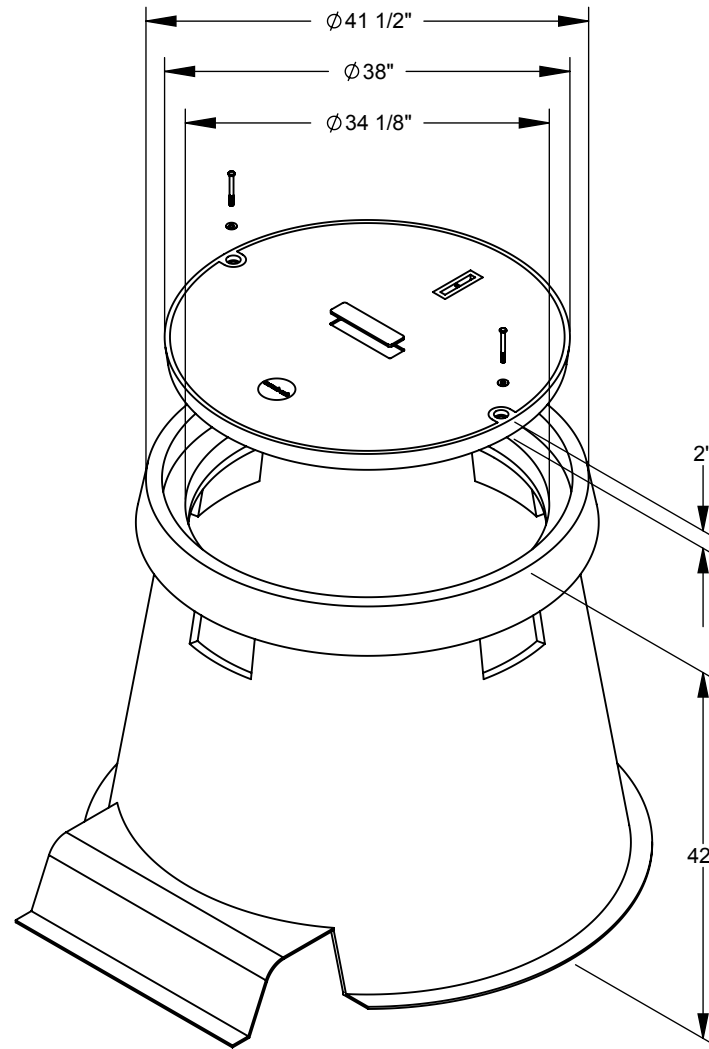
2626 Kansas Avenue  
Riverside, California 92507

951.787.0600

951.787.0632 (fax)

info@newbasis.com

newbasis.com



### Inside Dimensions

Top	Bottom	Depth
Ø 34 1/8"	Ø 48 13/16"	39"

Rev: A.2

# FCA380042T-00006

FIBERGLASS / POLYMER CONCRETE ASSEMBLY



Fiberglass / Polymer Concrete Assembly, Tapered Sides, WUC 3.6, ANSI/SCTE 77-20K/T15, 3/8" Hex Bolts, Standard Nameplate (Specify at time of order) Installed

Ø38" X 42"

For actual dimensions, see drawing on front side.

### AVAILABLE OPTIONS

- Penta Bolts
- Telephone EMS
- Power EMS
- Custom Nameplate Installed
- Custom Nameplate Shipped Separately
- Standard Nameplate Installed
- Standard Nameplate Shipped Separately

- Indicates a selected option

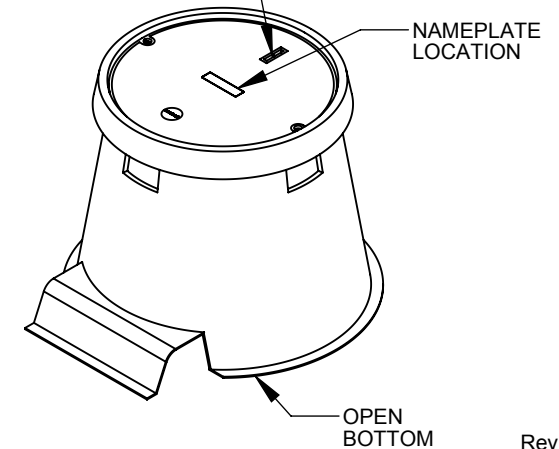
### NAMEPLATES

One standard nameplate included with each assembly, installed at the factory or easily installed in the field. Custom nameplates are available. Contact customer service.

#### Standard Nameplates

- Electric
- Telephone
- Fiber Optic
- Water
- Street Lighting
- Broadband
- Traffic
- CATV
- Traffic Signal
- Communications

LIFT PIN FOR HAND HOLE COVER HOOK (NEWBASIS P/N: 0701 OR EQUIVALENT)



Rev:A.2

### MATERIAL PROPERTIES AND ATTRIBUTES

**Compressive Strength**  
Polymer Concrete - **87 MPa**  
FRP - **134 MPa**  
Per ASTM D695

**Flexural Strength**  
Polymer Concrete - **20 MPa**  
FRP - **116 MPa**  
Per ASTM D790

**Coefficient of Friction (Dry)**  
**1.085**  
Per ASTM C1028

- Polymer Concrete
- Advanced composite: Very high strength to weight ratio
  - Non-metallic
  - Non-conductive
  - UV Resistant
  - High impact resistant
  - Impervious to chemicals and moisture

Materials tested in accordance with ASTM D-543 and ASTM D-570

### WEIGHTS AND SHIPPING

COVER WEIGHT: 179.3 lbs.

BOX WEIGHT: 119.9 lbs.

ASSEMBLY WEIGHT: 299.2 lbs.

LOADED PALLET WEIGHT: 1250.5 lbs.

Standard shipping includes van delivery of pallet quantities to the lower 48 states. Partial pallet quantities and flat bed shipping available at an additional cost.

### PACKAGING (Steel Banding, Edge Protection)

PALLET QUANTITY: 4

