

# PCA173012-00006

## PCX POLYMER CONCRETE ASSEMBLY

17" x 30" x 12"  
(For actual dimensions see drawing)

Polymer Concrete Assembly, Straight Sides, No Floor, WUC 3.6, ANSI/SCTE 77 - "T15/20K", 3/8" Hex Bolts, Standard Nameplate (Specify at time of order) Installed

### LOAD RATINGS

Incidental Traffic - Parking Lot, Sidewalk  
Conforms to:

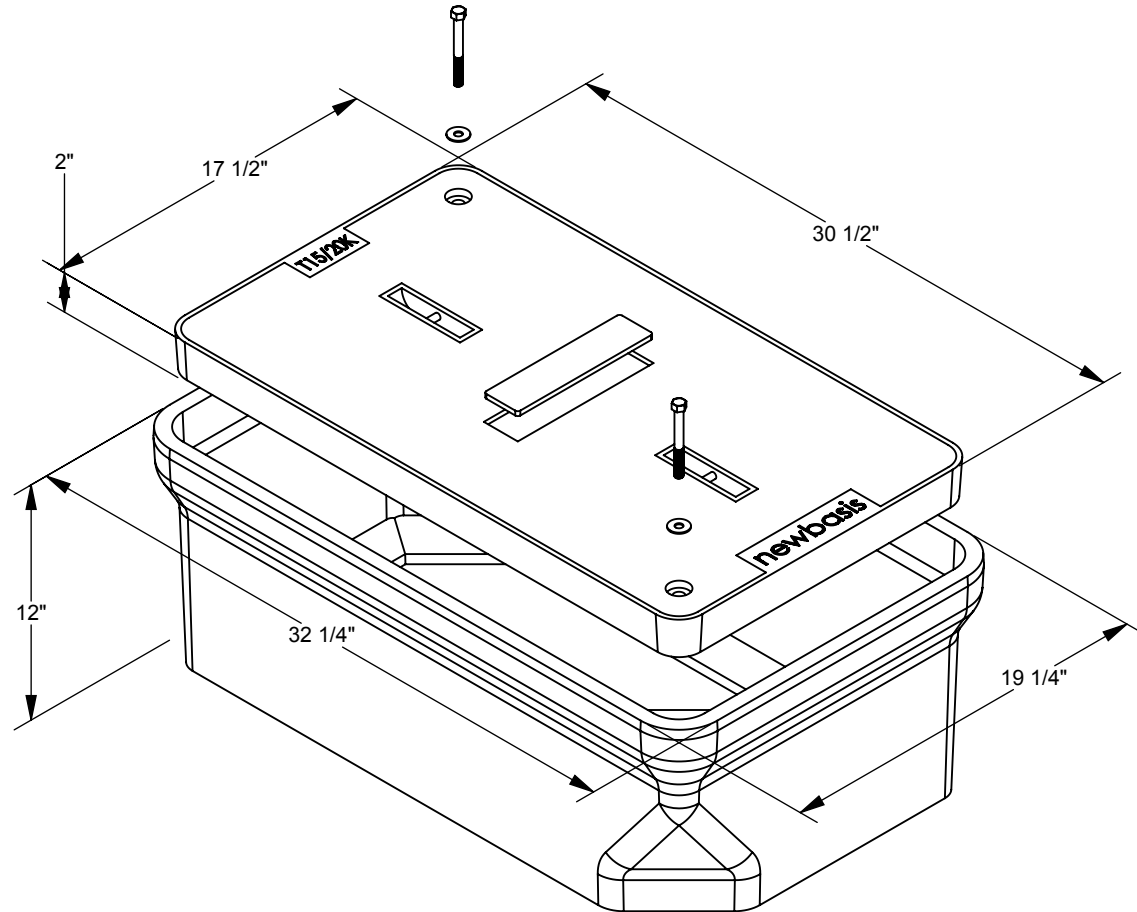
- WUC 3.6
- ASTM C 857
- ANSI/SCTE 77

### FEATURES:

- Drop-In nameplate
- Shipped assembled
- Skid resistant cover
- Stainless steel bolts
- Cast-in floating nut box
- Integral drain holes

Additional product information  
continued on the reverse

**PCX**<sup>TM</sup>  
POLYMER CONCRETE  
The Next Generation



**newbasis**  
Composites for Infrastructure

2626 Kansas Avenue  
Riverside, California 92507

951.787.0600

951.787.0632 (fax)

info@newbasis.com

newbasis.com

### Inside Dimensions

Length	Width	Depth
29 1/16"	16 1/16"	10"
26 1/16"	13 1/16"	

Rev: C.2

# PCA173012-00006

PCX POLYMER CONCRETE ASSEMBLY



Polymer Concrete Assembly, Straight Sides, No Floor, WUC 3.6, ANSI/SCTE 77 - "T15/20K," 3/8" Hex Bolts, Standard Nameplate (Specify at time of order) Installed

**17" x 30" x 12"** For actual dimensions, see drawing on front side.

### AVAILABLE OPTIONS

- Tier 22 Load Rating
- Penta Bolts
- Telephone EMS
- Power EMS
- Custom Nameplate Installed
- Custom Nameplate Shipped Separately
- Standard Nameplate Installed
- Standard Nameplate Shipped Separately

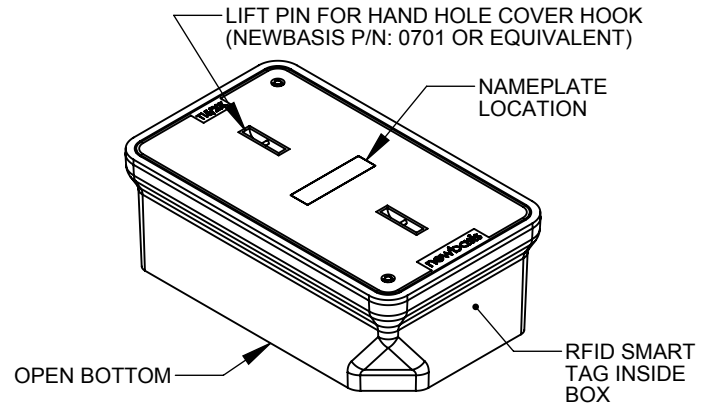
- Indicates a selected option

### NAMEPLATES

One standard nameplate included with each assembly, installed at the factory or easily installed in the field. Custom nameplates are available. Contact customer service.

#### Standard Nameplates

- Electric
- Telephone
- Fiber Optic
- Water
- Street Lighting
- Broadband
- Traffic
- CATV
- Traffic Signal
- Communications



### MATERIAL PROPERTIES AND ATTRIBUTES

**Compressive Strength**  
Polymer Concrete - 11500 PSI  
Per ASTM D695

**Flexural Strength**  
Polymer Concrete - 4000 PSI  
Per ASTM D790

**Coefficient of Friction (Dry)**  
**1.085**  
Per ASTM C1028

- Polymer Concrete
- Advanced composite: Very high strength to weight ratio
  - Non-metallic
  - Non-conductive
  - UV Resistant
  - High impact resistant
  - Impervious to chemicals and moisture

Materials tested in accordance with ASTM D-543 and ASTM D-570

### WEIGHTS AND SHIPPING

COVER WEIGHT: 49.5 lbs.

BOX WEIGHT: 60.7 lbs.

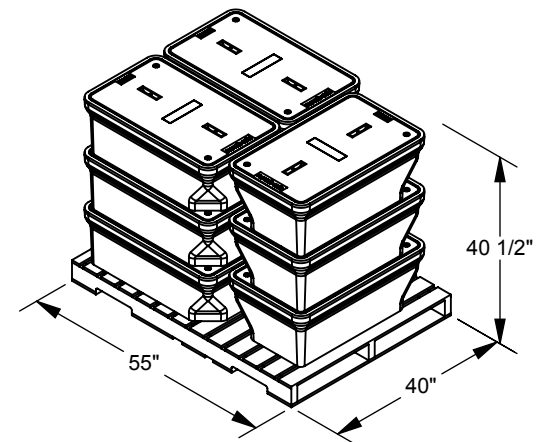
ASSEMBLY WEIGHT: 110.2 lbs.

LOADED PALLET WEIGHT: 1035 lbs.

Standard shipping includes van delivery of pallet quantities to the lower 48 states. Partial pallet quantities and flat bed shipping available at an additional cost.

### PACKAGING (Steel Banding, Edge Protection)

PALLET QUANTITY: 9



Rev: C.2