

PCA304836-90191

POLYMER CONCRETE ASSEMBLY

30" X 48" X 36"
(For actual dimensions see drawing)

Polymer Concrete Assembly, Straight Sides, No Floor, WUC 3.6, ANSI/SCTE 77-"T15/20K, " 1/2" Penta Coil Bolts, (2) Piece Cover, Standard Nameplate (ELECTRIC) Installed

LOAD RATINGS

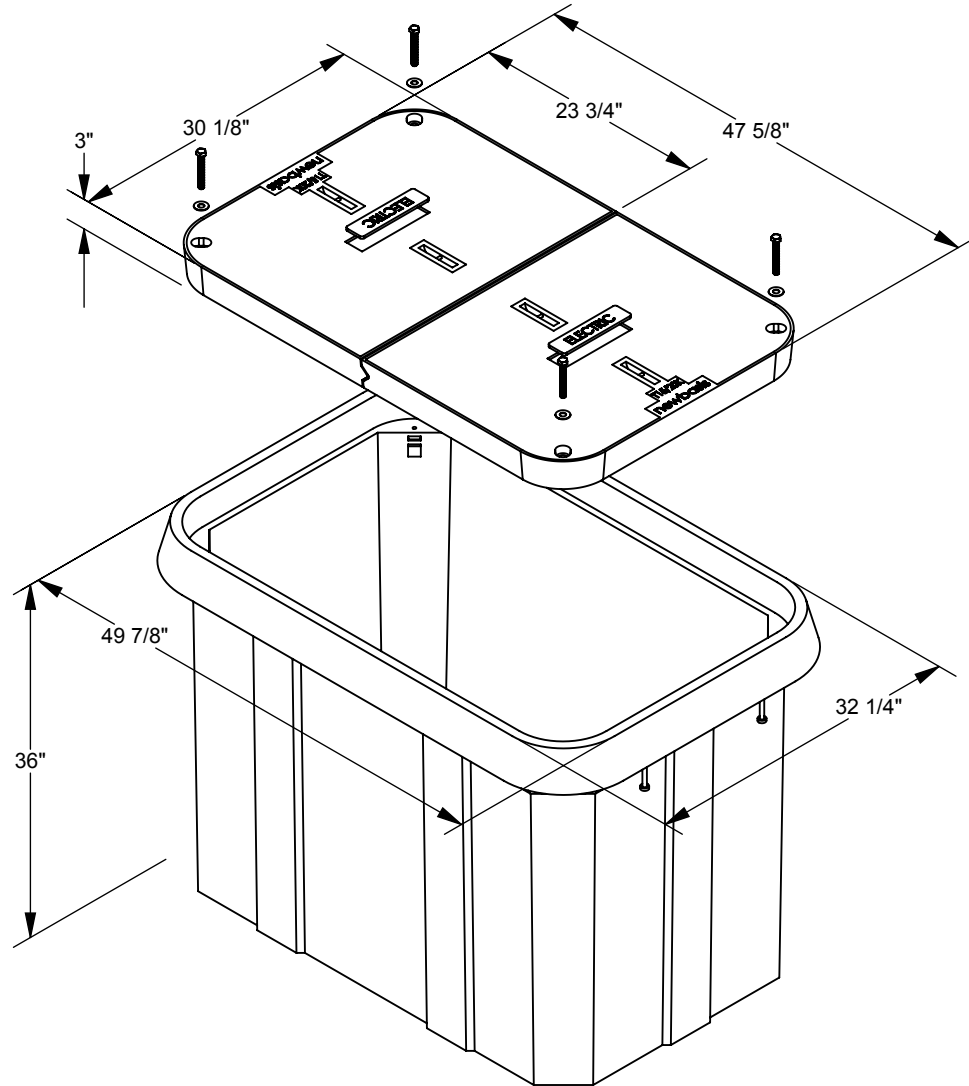
Incidental Traffic - Parking Lot, Sidewalk
Conforms to:

- WUC 3.6
- ASTM C 857
- ANSI/SCTE 77

FEATURES:

- UL classified polymer concrete
- Drop-In nameplate
- Shipped assembled
- Skid resistant cover
- Stainless steel bolts
- Cast-in floating nut box
- Integral drain holes

Additional product information
continued on the reverse



newbasis
Composites for Infrastructure

2626 Kansas Avenue
Riverside, California 92507

951.787.0600

951.787.0632 (fax)

info@newbasis.com

newbasis.com

Inside Dimensions

Length	Width	Depth
46"	28 1/2"	33"
42 3/16"	24 11/16"	

Rev: A.0

PCA304836-90191

POLYMER CONCRETE ASSEMBLY



Polymer Concrete Assembly, Straight Sides, No Floor, WUC 3.6, ANSI/SCTE 77-T15/20K, " 1/2" Penta Coil Bolts, (2) Piece Cover, Standard Nameplate (ELECTRIC) Installed

30" X 48" X 36" For actual dimensions, see drawing on front side.

AVAILABLE OPTIONS

- Penta Coil Bolts
- Telephone EMS
- Power EMS
- 2 Piece Cover
- Custom Nameplate Installed
- Custom Nameplate Shipped Separately
- Standard Nameplate Installed
- Standard Nameplate Shipped Separately

- Indicates a selected option

NAMEPLATES

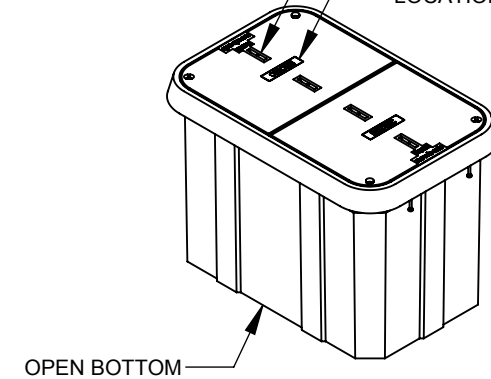
One standard nameplate included with each assembly, installed at the factory or easily installed in the field. Custom nameplates are available. Contact customer service.

Standard Nameplates

- Electric
- Telephone
- Fiber Optic
- Water
- Street Lighting
- Broadband
- Traffic
- CATV
- Traffic Signal
- Communications

LIFT PIN FOR HAND HOLE COVER HOOK
(NEWBASIS P/N:0701 OR EQUIVALENT)

NAMEPLATE
LOCATION



Rev: A.0

MATERIAL PROPERTIES AND ATTRIBUTES

Compressive Strength
Polymer Concrete - **87 MPa**
Per ASTM D695

Flexural Strength
Polymer Concrete - **20 MPa**
Per ASTM D790

Coefficient of Friction (Dry)
1.085
Per ASTM C1028

- Polymer Concrete
- Advanced composite: Very high strength to weight ratio
 - Non-metallic
 - Non-conductive
 - UV Resistant
 - High impact resistant
 - Impervious to chemicals and moisture

Materials tested in accordance with ASTM D-543 and ASTM D-570

WEIGHTS AND SHIPPING

COVER WEIGHT: 229 lbs.

BOX WEIGHT: 429 lbs.

ASSEMBLY WEIGHT: 658 lbs.

LOADED PALLET WEIGHT: 1,340 lbs.

Standard shipping includes van delivery of pallet quantities to the lower 48 states. Partial pallet quantities and flat bed shipping available at an additional cost.

PACKAGING (Steel Banding, Edge Protection)

PALLET QUANTITY: 2

