

# PCA363636-90094

## PCX POLYMER CONCRETE ASSEMBLY

36" X 36" X 36"

(For actual dimensions see drawing)

Polymer Concrete Assembly, Straight Sides, No Floor, WUC 3.6, ANSI/SCTE 77-"T15/20K," 3/8" Auger Tip Hex Bolts, 2 Piece Cover, Standard Nameplate (Specify at time of order) Shipped Separately

### LOAD RATINGS

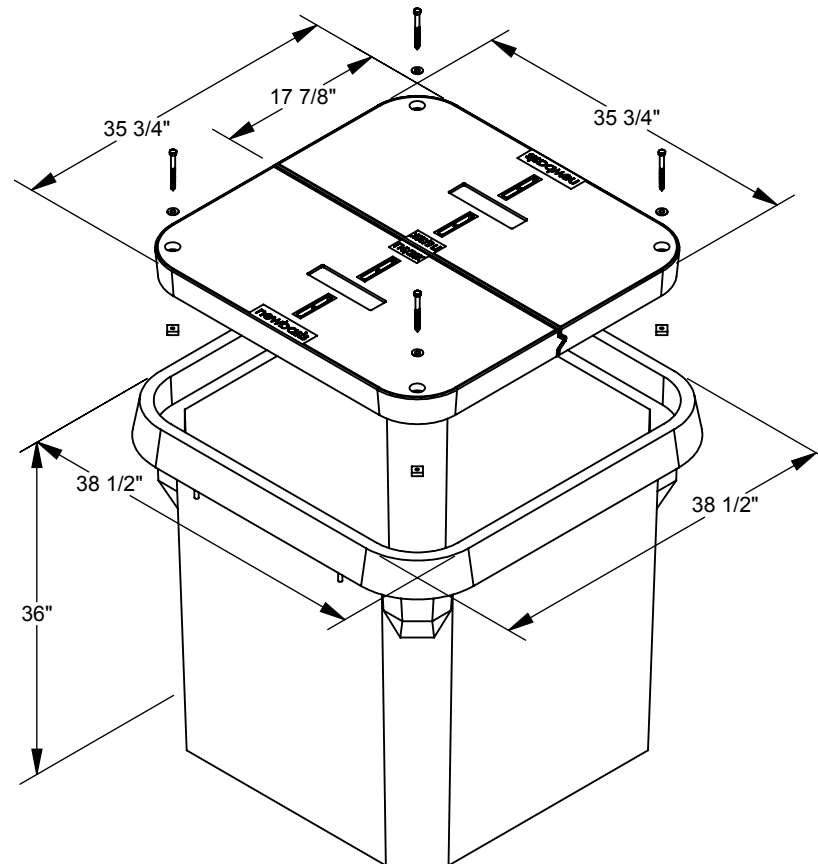
Incidental Traffic - Parking Lot, Sidewalk  
Conforms to:

- WUC 3.6
- ASTM C 857
- ANSI/SCTE 77

### FEATURES:

- USDA/RUS Approved
- Drop-In nameplate
- Shipped assembled
- Skid resistant cover
- Stainless steel bolts
- Cast-in floating nut box
- Integral drain holes

Additional product information  
continued on the reverse



2626 Kansas Avenue  
Riverside, California 92507

951.787.0600

951.787.0632 (fax)

info@newbasis.com

newbasis.com

### Inside Dimensions

Length	Width	Depth
33 1/2"	33 1/2"	33"
31 1/4"	31 1/4"	

Rev: A.0

# PCA363636-90094

PCX POLYMER CONCRETE ASSEMBLY



Polymer Concrete Assembly, Straight Sides, No Floor, WUC 3.6, ANSI/SCTE 77-  
"T15/20K," 3/8" Auger Tip Hex Bolts, 2 Piece Cover, Standard Nameplate (Specify at time  
of order) Shipped Separately

**36" X 36" X 36"** For actual dimensions, see drawing on front side.

## AVAILABLE OPTIONS

- 3/8" Auger Tip Hex Bolts
- Telephone EMS
- Divider
- 2 Piece Cover
- Custom Nameplate Installed
- Custom Nameplate Cast-in
- Custom Nameplate Shipped Separately
- Standard Nameplate Installed
- Standard Nameplate Cast-in
- Standard Nameplate Shipped Separately

- Indicates a selected option

## NAMEPLATES

One standard nameplate included with each assembly, installed at the factory or easily installed in the field. Custom nameplates are available. Contact customer service.

### Standard Nameplates

- Electric
- Telephone
- Fiber Optic
- Street Lighting
- Traffic
- CATV
- Communications

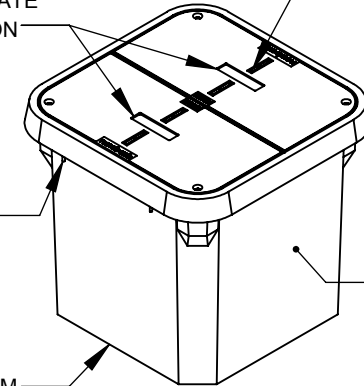
LIFT PIN TO ACCOMODATE COVER HOOK  
(NEWBASIS P/N: 0701 OR EQUIVALENT)

NAMEPLATE  
LOCATION

LIFT BOLTS TO  
ACCOMODATE  
LIFT STRAP

OPEN BOTTOM

RFID SMART  
TAG INSIDE  
BOX



Rev: A.0

## MATERIAL PROPERTIES AND ATTRIBUTES

**Compressive Strength**  
Polymer Concrete - 11,500 PSI  
Per ASTM D695

**Flexural Strength**  
Polymer Concrete - 4,000 PSI  
Per ASTM D790

**Coefficient of Friction (Dry)**  
**1.085**  
Per ASTM C1028

- Polymer Concrete
- Advanced composite: Very high strength to weight ratio
  - Non-metallic
  - Non-conductive
  - UV Resistant
  - High impact resistant
  - Impervious to chemicals and moisture

Materials tested in accordance with ASTM D-543 and ASTM D-570

## WEIGHTS AND SHIPPING

COVER WEIGHT: 89.9 lbs. (EACH HALF)

BOX WEIGHT: 399.2 lbs.

ASSEMBLY WEIGHT: 579 lbs.

LOADED PALLET WEIGHT: 1,182.2 lbs.

Standard shipping includes van delivery of pallet quantities to the lower 48 states. Partial pallet quantities and flat bed shipping available at an additional cost.

## PACKAGING (Steel Banding, Edge Protection)

PALLET QUANTITY: 2

