

PCA489648-00006

POLYMER CONCRETE ASSEMBLY

48" x 96" x 48"
 (For actual dimensions see drawing)

Polymer Concrete Assembly, Straight Sides, WUC 3.6, ANSI/SCTE 77 - 2010 Tier 15, 3/8" Hex Bolts, Standard Nameplate (Specify at time of order) Installed

LOAD RATINGS

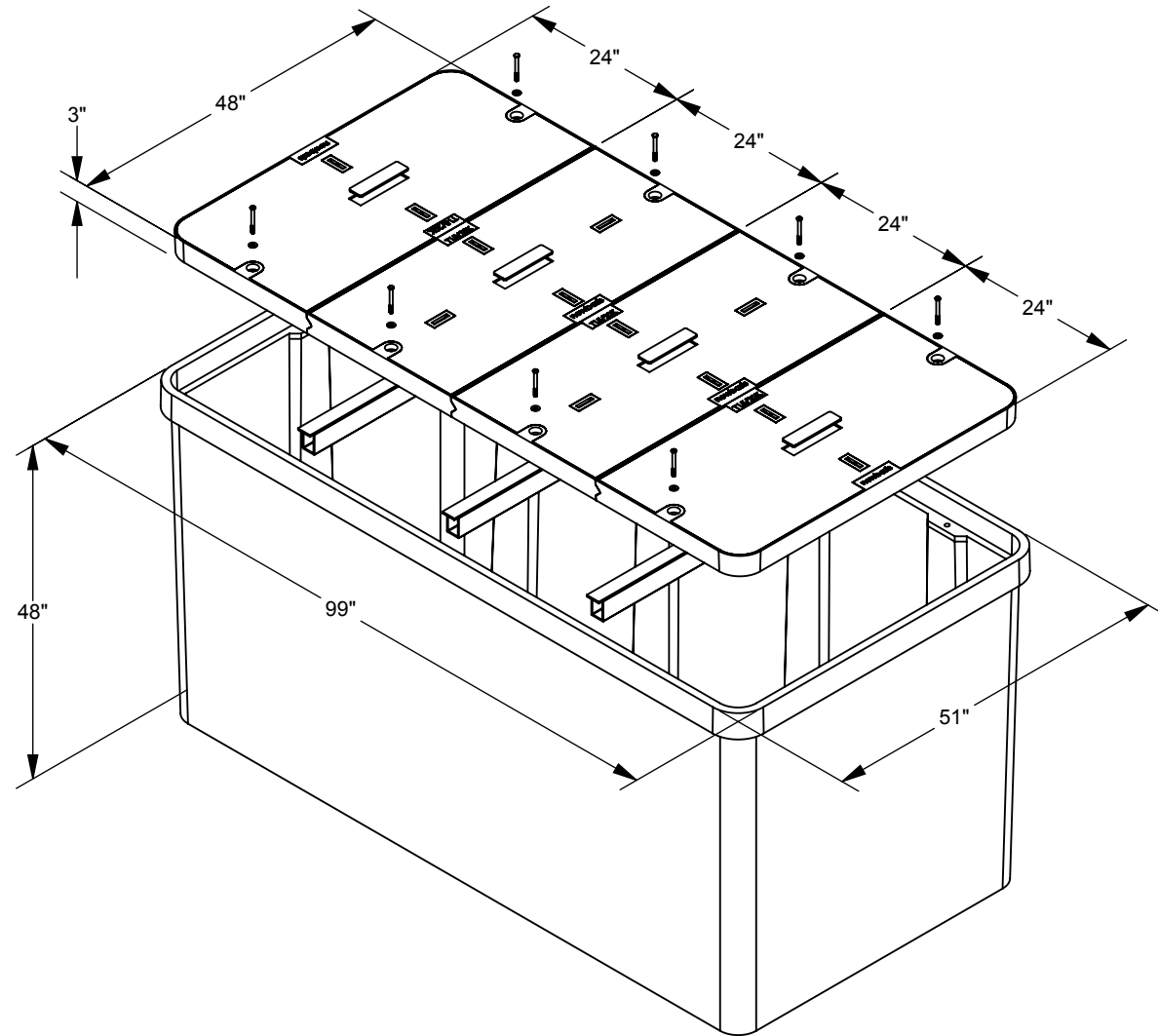
Incidental Traffic - Parking Lot, Sidewalk
 Conforms to:

- WUC 3.6
- ASTM C 857
- ANSI/SCTE 77 - 2010

FEATURES:

- UL classified polymer concrete
- Drop-In nameplate
- Shipped assembled
- Skid resistant cover
- Stainless steel bolts
- Cast-in floating nut box
- Integral drain holes

Additional product information continued on the reverse



2626 Kansas Avenue
 Riverside, California 92507

951.787.0600

951.787.0632 (fax)

info@newbasis.com

newbasis.com

Inside Dimensions

Length	Width	Depth
94"	47"	45"
92"	45"	

REV: A.1

PCA489648-00006

POLYMER CONCRETE ASSEMBLY



Polymer Concrete Assembly, Straight Sides, WUC 3.6, ANSI/SCTE 77 - 2010 Tier 15, 3/8" Hex Bolts, Standard Nameplate (Specify at time of order) Installed

48" x 96" x 48" For actual dimensions, see drawing on front side.

AVAILABLE OPTIONS

- Penta Bolts
- Standard Nameplate Installed
- Standard Nameplate Shipped Separately
- Custom Nameplate Installed
- Custom Nameplate Shipped Separately

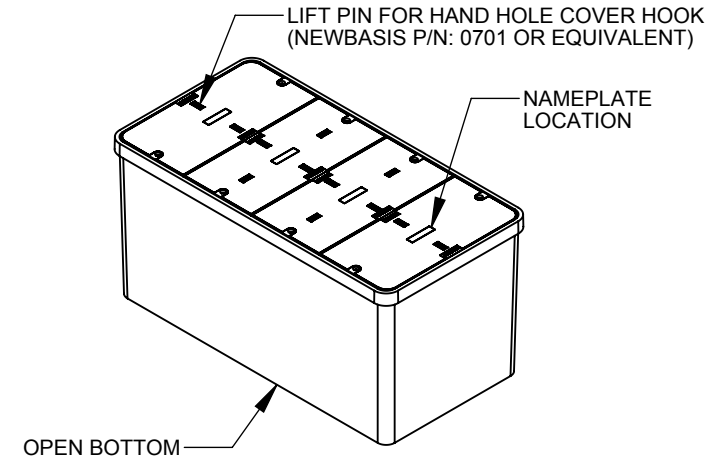
- Indicates a selected option

NAMEPLATES

One standard nameplate included with each assembly, installed at the factory or easily installed in the field. Custom nameplates are available. Contact customer service.

Standard Nameplates

- Electric
- Telephone
- Fiber Optic
- Water
- Irrigation Control Valve
- Broadband
- Traffic
- CATV
- Traffic Signal
- Communications



Rev: A.1

MATERIAL PROPERTIES AND ATTRIBUTES

Compressive Strength
Polymer Concrete - **87 MPa**
Per ASTM D695

Flexural Strength
Polymer Concrete - **20 MPa** (Flex Modulus)
Per ASTM D790

Coefficient of Friction (Dry)
1.085
Per ASTM C1028

- Polymer Concrete
- Advanced composite: Very high strength to weight ratio
 - Non-metallic
 - Non-conductive
 - UV Resistant
 - High impact resistant
 - Impervious to chemicals and moisture

Materials tested in accordance with ASTM D-543 and ASTM D-570

WEIGHTS AND SHIPPING

COVER WEIGHT: 674 lbs.

BOX WEIGHT: 1,220 lbs.

ASSEMBLY WEIGHT: 1,894 lbs.

LOADED PALLET WEIGHT: 1,954 lbs.

Standard shipping includes van delivery of pallet quantities to the lower 48 states. Partial pallet quantities and flat bed shipping available at an additional cost.

PACKAGING (Steel Banding, Edge Protection)

PALLET QUANTITY: 1

