

# FCA243636-00006

FIBERGLASS / PCX POLYMER  
CONCRETE ASSEMBLY

24" x 36" x 36"  
(For actual dimensions see drawing)

Fiberglass / Polymer Concrete Assembly,  
Straight Sides, No Floor, WUC 3.6,  
ANSI/SCTE 77-"T15/20K," 3/8" Hex  
Bolts, Standard Nameplate (Specify at  
time of order) Installed

### LOAD RATINGS

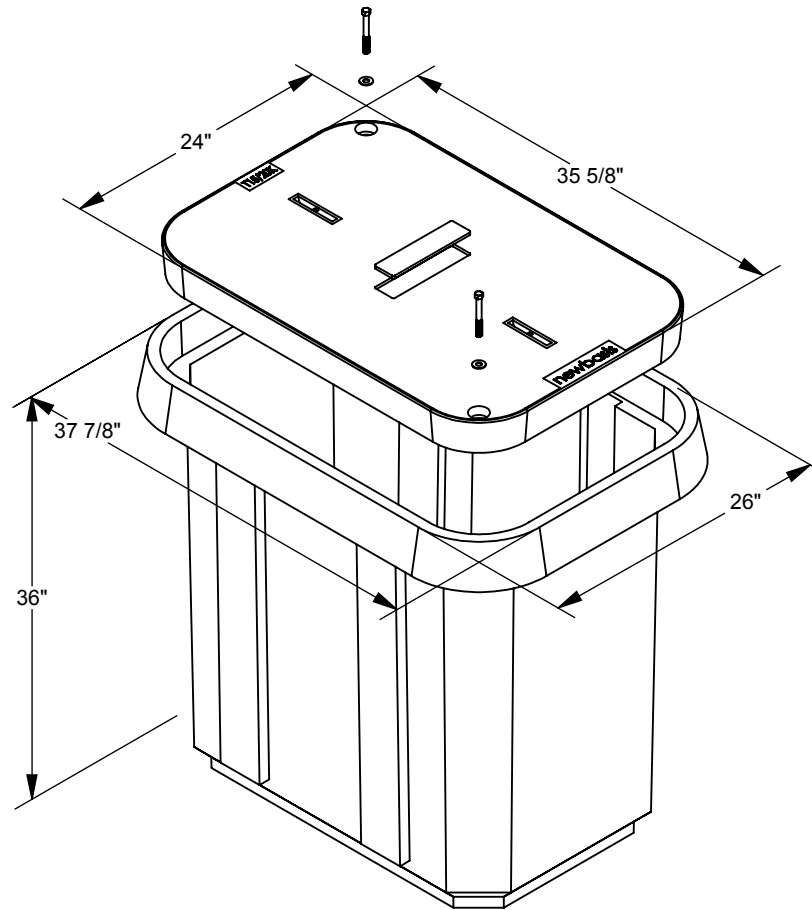
Incidental Traffic - Parking Lot, Sidewalk  
Conforms to:

- WUC 3.6
- ASTM C 857
- ANSI/SCTE 77

### FEATURES:

- USDA/RUS Approved
- Drop-In nameplate
- Shipped assembled
- Skid resistant cover
- Stainless Steel Bolts
- Cast-in floating nut box
- Integral drain holes

Additional product information  
continued on the reverse



2626 Kansas Avenue  
Riverside, California 92507

951.787.0600

951.787.0632 (fax)

info@newbasis.com

newbasis.com

### Inside Dimensions

Length	Width	Depth
33 1/8"	21 1/2"	33 1/2"
24 1/8"	12 5/8"	

# FCA243636-00006

FIBERGLASS / PCX  
POLYMER CONCRETE ASSEMBLY



Fiberglass / Polymer Concrete Assembly, Straight Sides, No Floor, WUC 3.6, ANSI/SCTE 77-"T15/20K," 3/8" Hex Bolts, Standard Nameplate (Specify at time of order) Installed

**24" x 36" x 36"** For actual dimensions, see drawing on front side.

### AVAILABLE OPTIONS

- Penta Bolts
- Telephone EMS
- Power EMS
- 2 Racks
- 4 Racks
- Knockouts
- Floor
- Custom Nameplate Installed
- Custom Nameplate Shipped Separately
- Standard Nameplate Installed
- Standard Nameplate Shipped Separately

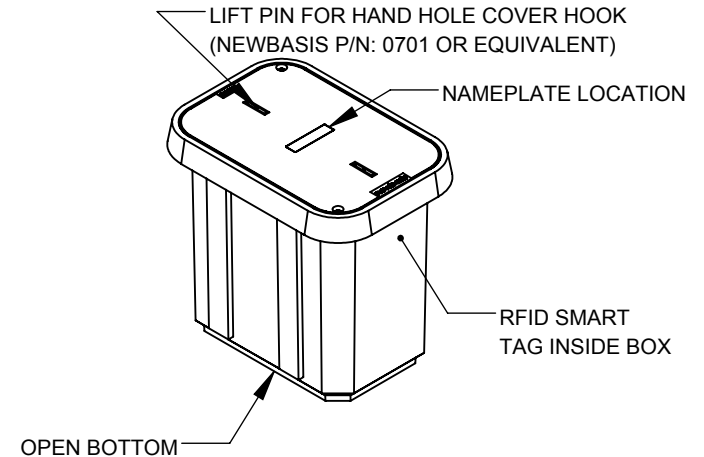
- Indicates a selected option

### NAMEPLATES

One standard nameplate included with each assembly, installed at the factory or easily installed in the field. Custom nameplates are available. Contact customer service.

#### Standard Nameplates

- Electric
- Telephone
- Fiber Optic
- Street Lighting
- Traffic
- CATV
- Communications



### MATERIAL PROPERTIES AND ATTRIBUTES

**Compressive Strength**  
Polymer Concrete - **11,500 PSI**  
FRP - **19,440 PSI**  
Per ASTM D695

**Flexural Strength**  
Polymer Concrete - **4,000 PSI**  
FRP - **16,830 PSI**  
Per ASTM D790

**Coefficient of Friction (Dry)**  
**1.085**  
Per ASTM C1028

- Polymer Concrete
- Advanced composite: Very high strength to weight ratio
  - Non-metallic
  - Non-conductive
  - UV Resistant
  - High impact resistant
  - Impervious to chemicals and moisture

Materials tested in accordance with ASTM D-543 and ASTM D-570

### WEIGHTS AND SHIPPING

COVER WEIGHT: 114.71 lbs.

BOX WEIGHT: 117.69 lbs.

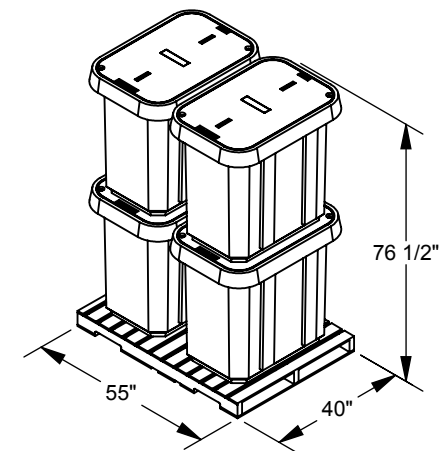
ASSEMBLY WEIGHT: 232.4 lbs.

LOADED PALLET WEIGHT: 974.6 lbs.

Standard shipping includes van delivery of pallet quantities to the lower 48 states. Partial pallet quantities and flat bed shipping available at an additional cost.

### PACKAGING (Steel Banding, Edge Protection)

PALLET QUANTITY: 4



Rev: A.3