

# FCA304830-00006

## FIBERGLASS / POLYMER CONCRETE ASSEMBLY

30" x 48" x 30"  
(For actual dimensions see drawing)

Fiberglass / Polymer Concrete Assembly,  
Straight Sides, No Floor, WUC 3.6-"20K,"  
3/8" Hex Bolts, 1 Piece Cover, Standard  
Nameplate (Specify at time of order)  
Installed

### LOAD RATINGS

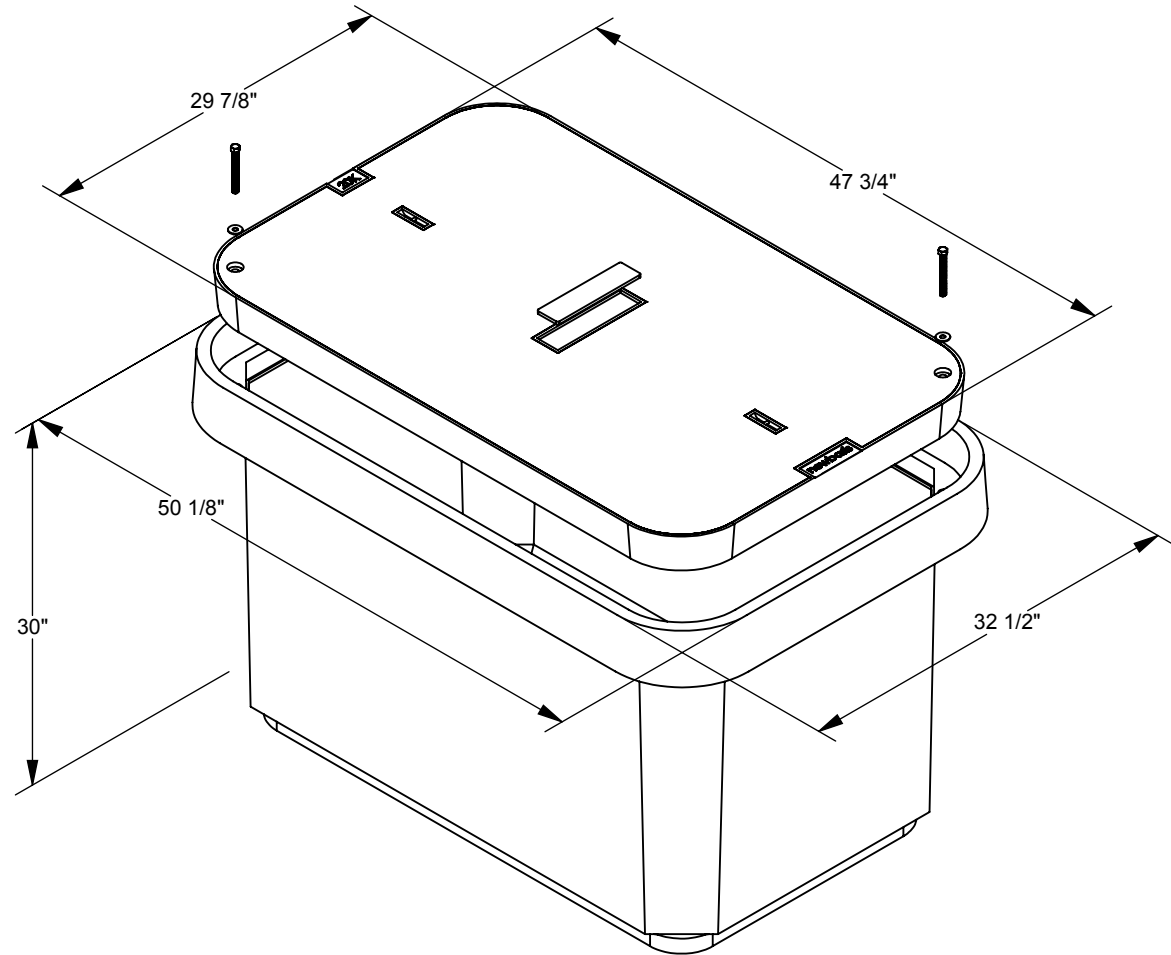
Incidental Traffic - Parking Lot, Sidewalk  
Conforms to:

- WUC 3.6
- ASTM C 857
- ANSI/SCTE 77

### FEATURES:

- USDA/RUS Approved
- Drop-In nameplate
- Shipped assembled
- Skid resistant cover
- Stainless steel bolts
- Cast-in floating nut box
- Integral drain holes

**Additional product information  
continued on the reverse**



**newbasis**  
Composites for Infrastructure

2626 Kansas Avenue  
Riverside, California 92507

951.787.0600

951.787.0632 (fax)

info@newbasis.com

newbasis.com

### Inside Dimensions

Length	Width	Depth
45 1/2"	27 7/8"	27"
42 3/8"	24 7/8"	

REV: A

# FCA304830-00006

FIBERGLASS / POLYMER CONCRETE ASSEMBLY



Fiberglass / Polymer Concrete Assembly, Straight Sides, No Floor, WUC 3.6-"20K," 3/8" Hex Bolts, 1 Piece Cover, Standard Nameplate (Specify at time of order) Installed

30" x 48" x 30" For actual dimensions, see drawing on front side.

### AVAILABLE OPTIONS

- Tapered Sides
- Penta Bolts
- Telephone EMS
- Power EMS
- Racks (2)
- Knockouts
- Floor
- 2 Piece Cover
- Custom Nameplate Installed
- Custom Nameplate Shipped Separately
- Standard Nameplate Installed
- Standard Nameplate Shipped Separately

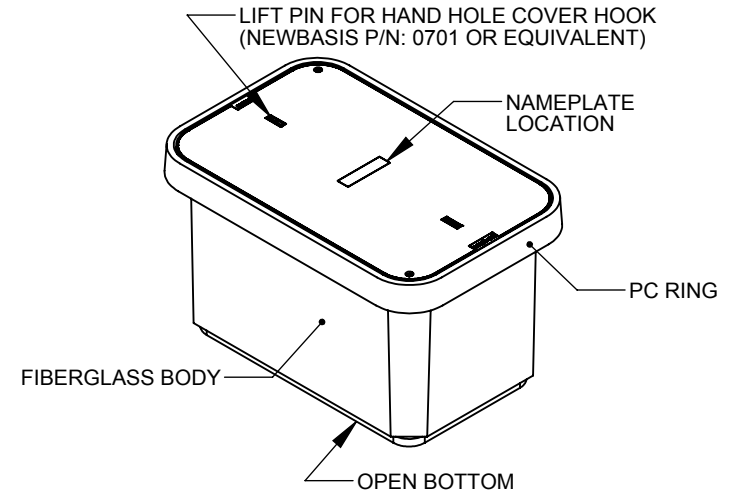
- Indicates a selected option

### NAMEPLATES

One standard nameplate included with each assembly, installed at the factory or easily installed in the field. Custom nameplates are available. Contact customer service.

#### Standard Nameplates

- Electric
- Telephone
- Fiber Optic
- Water
- Irrigation Control Valve
- Broadband
- Traffic
- CATV
- Traffic Signal
- Communications



Rev: A

### MATERIAL PROPERTIES AND ATTRIBUTES

**Compressive Strength**  
Polymer Concrete - **87 MPa**  
FRP - **134 MPa**  
Per ASTM D695/D3410

**Flexural Strength**  
Polymer Concrete - **20 MPa**  
FRP - **116 MPa**  
Per ASTM D790

**Coefficient of Friction (Dry)**  
**1.085**  
Per ASTM C1028

- Polymer Concrete
- Advanced composite: Very high strength to weight ratio
  - Non-metallic
  - Non-conductive
  - UV Resistant
  - High impact resistant
  - Impervious to chemicals and moisture

Materials tested in accordance with ASTM D-543 and ASTM D-570

### WEIGHTS AND SHIPPING

COVER WEIGHT: 203 lbs.

BOX WEIGHT: 242 lbs.

ASSEMBLY WEIGHT: 445 lbs.

LOADED PALLET WEIGHT: 1185 lbs.

Standard shipping includes van delivery of pallet quantities to the lower 48 states. Partial pallet quantities and flat bed shipping available at an additional cost.

### PACKAGING (Steel Banding, Edge Protection)

PALLET QUANTITY: 2

